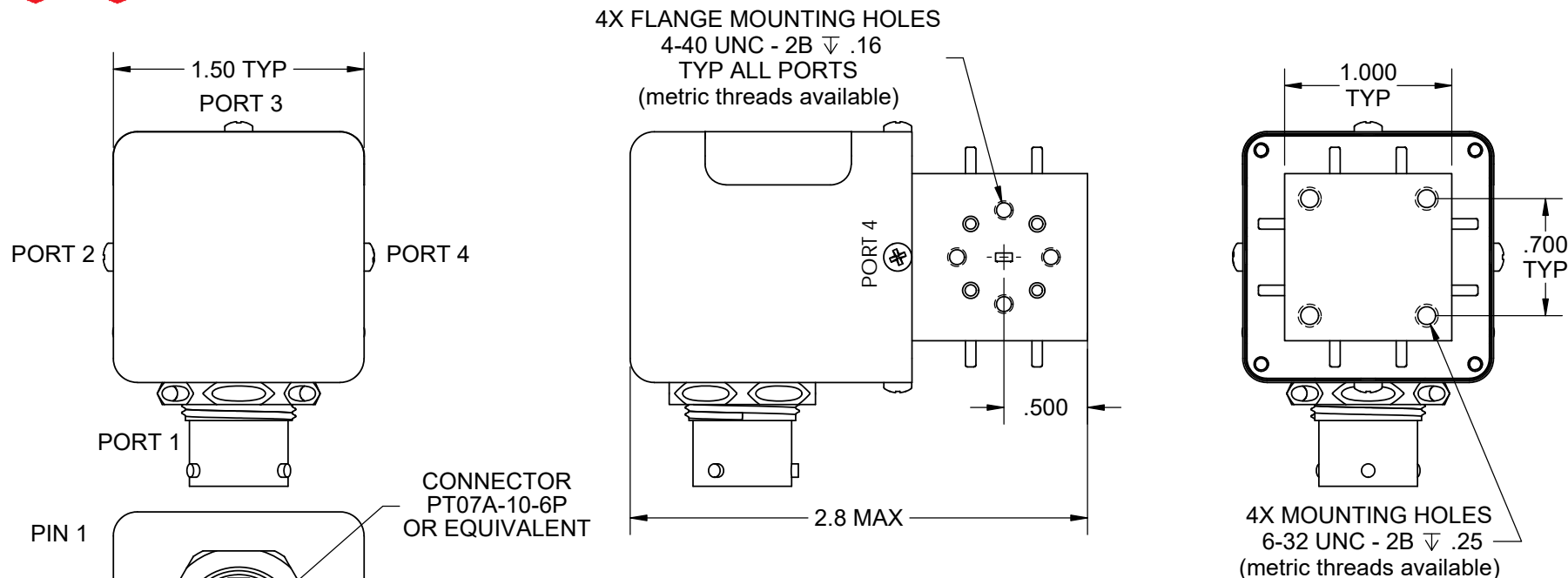




Waveguide Switch - UW Series - WR10

REV. A



Frequency: 75.0 to 110.0 GHz
 VSWR: 1.2:1 Max.
 Insertion Loss: 0.40 dB Max.
 Isolation: 50 dB Min.

Flange: See Flange Table
 Voltage: See Voltage Table
 Switching Time: 50 mS Max.

Material: Aluminum (RF Assy)
 Finish: Iridite per MIL-DTL-5541

Pressure: 5 PSIG Typ., 15 PSIG Max.
 (RF Head Only)

Drive: Patented Logus Motor

Temp: Operating: -40 °C to +85 °C
 Non-Operating: -55 °C to +100 °C
 Humidity: 0 to 100%, Fully Weatherized

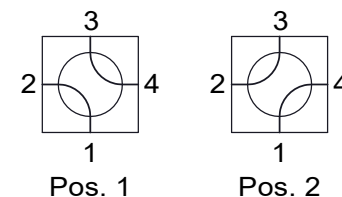
(See Model # Chart to select options)

ELECTRICAL CIRCUIT OPTIONS
NO INDICATORS
1 SET INDICATORS

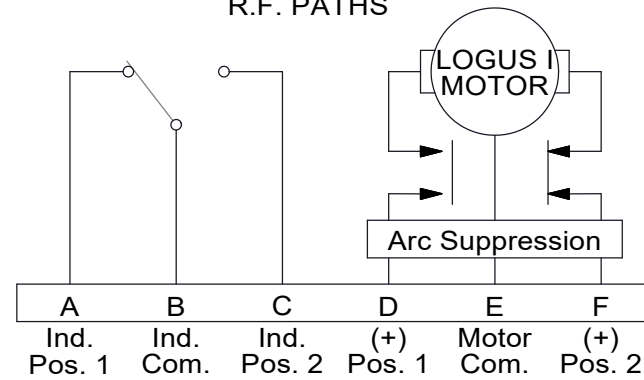
DRIVE OPTIONS
LATCHING
PULSE LATCHING
FAILSAFE
TTL

VOLTAGE OPTIONS
12 VDC
15 VDC
24 VDC
28 VDC
48 VDC
115 VAC

FLANGE OPTIONS
COVER
GROOVE
CHOKE



R.F. PATHS



LATCHING, SHOWN IN POSITION 1

(See Schematic page for optional Electrical Circuits)

RoHS Available