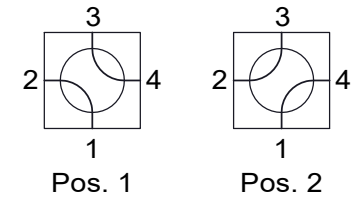
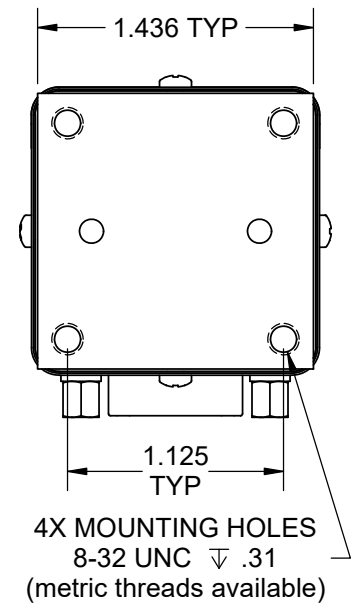
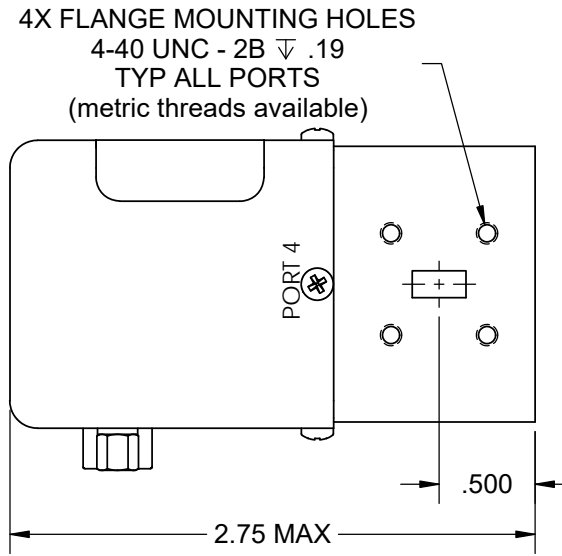
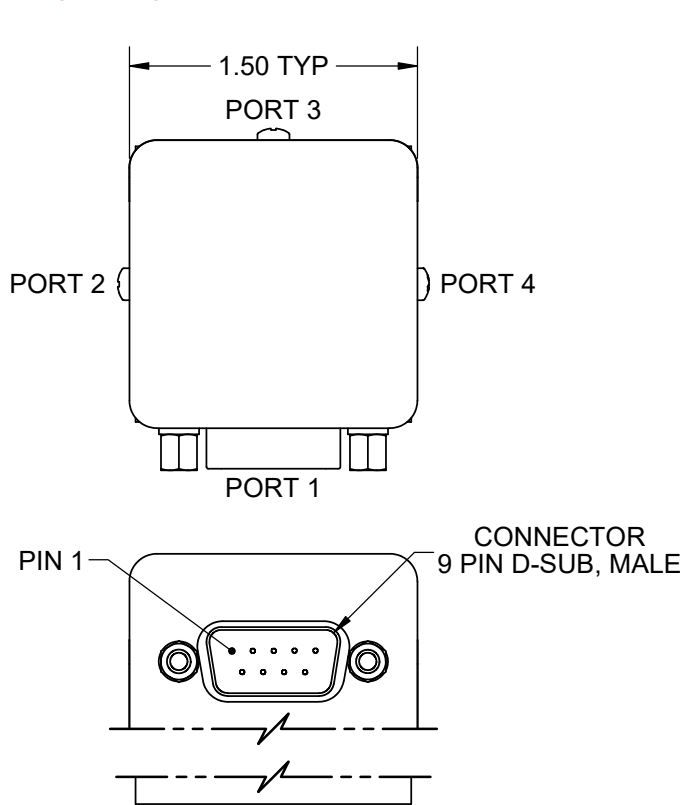


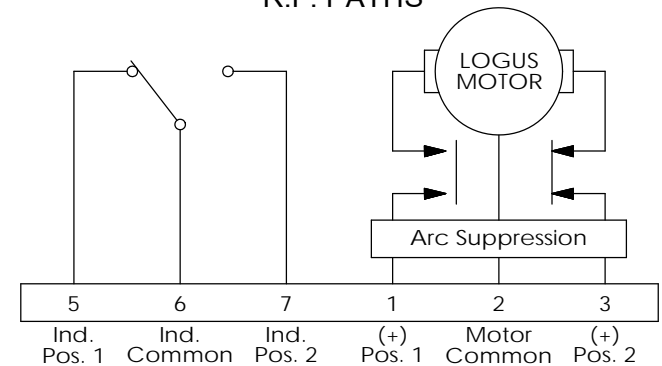


# Waveguide Switch - UM Series - WR28

REV. B



R.F. PATHS



LATCHING, SHOWN IN POSITION 1

(See Schematic page for optional Electrical Circuits)

(See Model # Chart to select options)

ELECTRICAL CIRCUIT OPTIONS
NO INDICATORS
1 SET INDICATORS

DRIVE OPTIONS
LATCHING
PULSE LATCHING
FAILSAFE
TTL

VOLTAGE OPTIONS
12 VDC
15 VDC
24 VDC
28 VDC
48 VDC
115 VAC

FLANGE OPTIONS
COVER
GROOVE
CHOKE

- Frequency: 26.5 to 40.0 GHz
- VSWR: 1.15:1 Max.
- Insertion Loss: 0.15 dB Max.
- Isolation: 55 dB Min.
- Flange: See Flange Table
- Voltage: See Voltage Table
- Switching Time: 50 mS Max.
- Material: Aluminum (RF Assy)
- Finish: Iridite per MIL-DTL-5541
- Pressure: 5 PSIG Typ., 15 PSIG Max. (RF Head Only)
- Drive: Patented Logus Motor
- Temp: Operating: -40 °C to +85 °C  
Non-Operating: -55 °C to +100 °C
- Humidity: 0 to 95%, No Condensation

RoHS Available