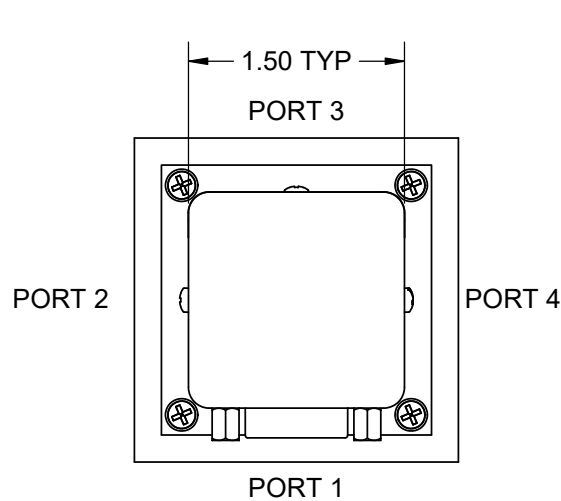
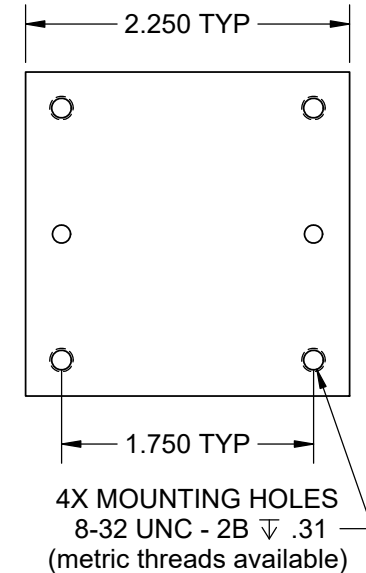
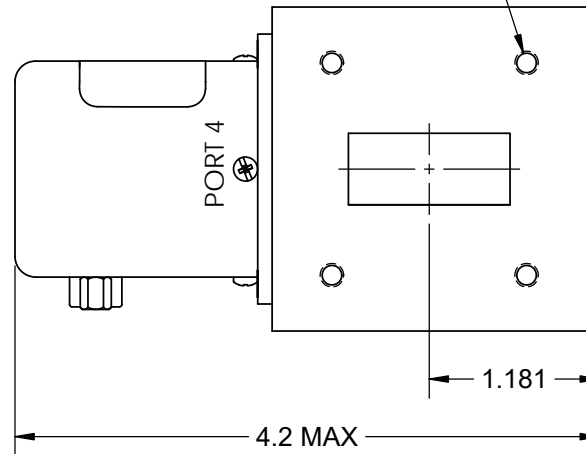




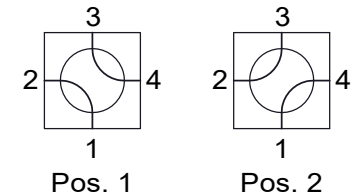
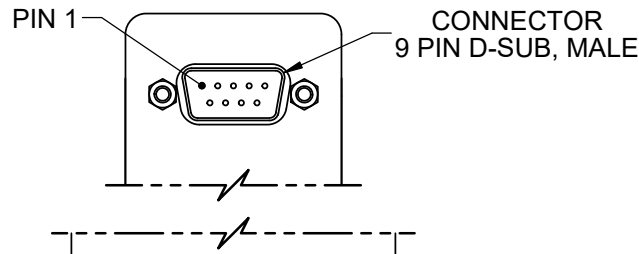
# Waveguide Switch - UM Series - WR112



4X FLANGE MOUNTING HOLES  
8-32 UNC - 2B  $\nabla$  .31  
TYP ALL PORTS  
(metric threads available)



4X MOUNTING HOLES  
8-32 UNC - 2B  $\nabla$  .31  
(metric threads available)



R.F. PATHS

(See Model # Chart to select options)

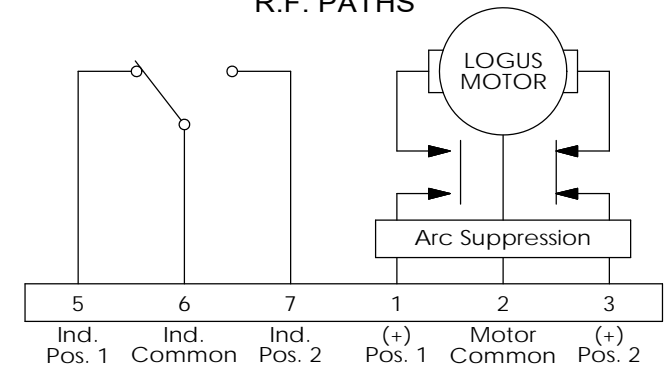
- Frequency: 7.05 to 10.0 GHz
- VSWR: 1.10:1 Max.
- Insertion Loss: 0.05 dB Max.
- Isolation: 80 dB Min.
- Flange: See Flange Table
- Voltage: See Voltage Table
- Switching Time: 100 mS Max.
- Material: Aluminum (RF Assy)
- Finish: Iridite per MIL-DTL-5541
- Pressure: 5 PSIG Typ., 15 PSIG Max. (RF Head Only)
- Drive: Patented Logus Motor
- Temp: Operating: -40°C to +85°C  
Non-Operating: -55°C to +100°C
- Humidity: 0 to 95%, No Condensation

ELECTRICAL CIRCUIT OPTIONS
NO INDICATORS
1 SET INDICATORS

DRIVE OPTIONS
LATCHING
PULSE LATCHING
FAILSAFE
TTL

VOLTAGE OPTIONS
12 VDC
15 VDC
24 VDC
28 VDC
48 VDC
115 VAC

FLANGE OPTIONS
COVER
GROOVE
CHOKE



LATCHING, SHOWN IN POSITION 1

(See Schematic page for optional Electrical Circuits)