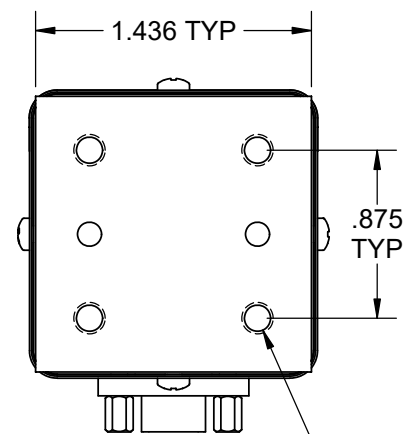
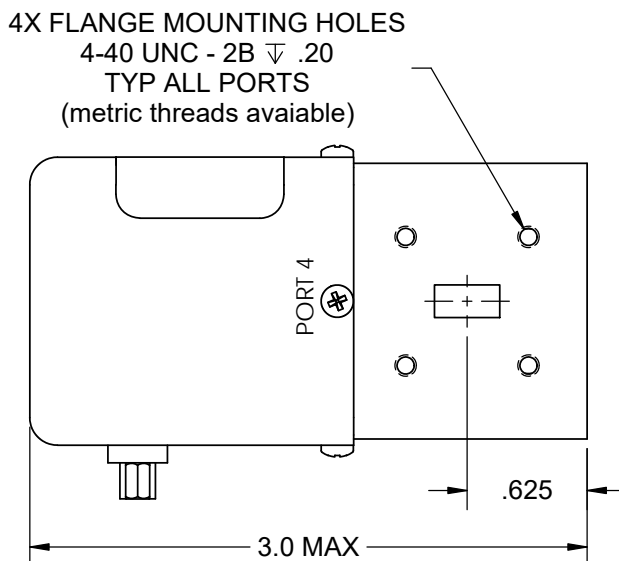
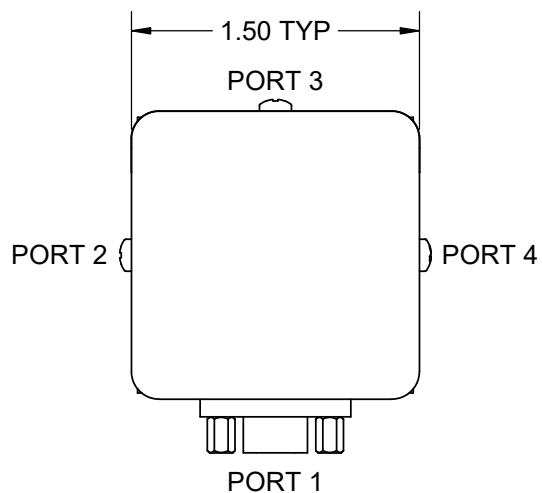


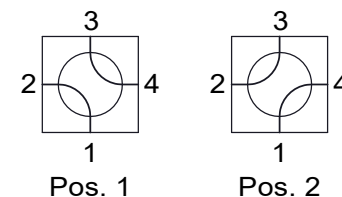
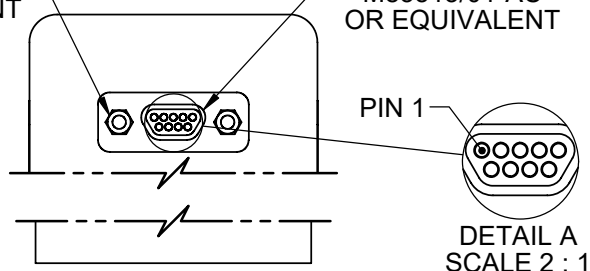


# Waveguide Switch - UA Series - WR34

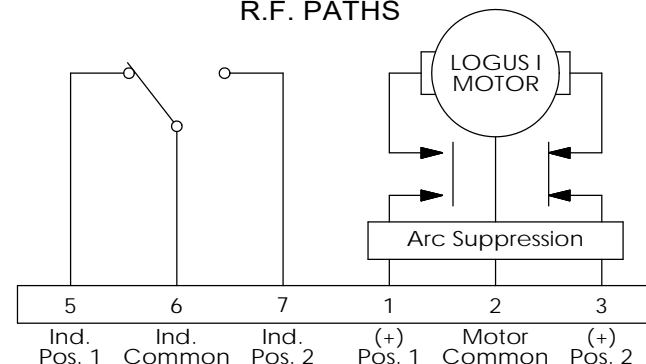


2X JACKPOST  
M83513/05-07  
OR EQUIVALENT

CONNECTOR  
9 PIN MICRO-D  
M83513/01-AC  
OR EQUIVALENT



R.F. PATHS



LATCHING, SHOWN IN POSITION 1

(See Schematic page for optional Electrical Circuits)

(See Model # Chart to select options)

ELECTRICAL CIRCUIT OPTIONS
NO INDICATORS
1 SET INDICATORS

DRIVE OPTIONS
LATCHING
PULSE LATCHING
FAILSAFE
TTL

VOLTAGE OPTIONS
12 VDC
15 VDC
24 VDC
28 VDC
48 VDC
115 VAC

FLANGE OPTIONS
COVER
GROOVE
CHOKE

Frequency: 22.0 to 33.0 GHz  
VSWR: 1.10:1 Max.  
Insertion Loss: 0.15 dB Max.  
Isolation: 60 dB Min.

Flange: See Flange Table  
Voltage: See Voltage Table  
Switching Time: 80 mS Max.

Material: Aluminum (RF Assy)  
Finish: Iridite per MIL-DTL-5541

Pressure: 5 PSIG Typ., 15 PSIG Max.  
Drive: Patented Logus Motor

Temp: Operating: -54°C to +85°C  
Non-Operating: -60°C to +100°C  
Humidity: 0 to 100%, Fully Sealed

Switch Designed for Airborne Applications