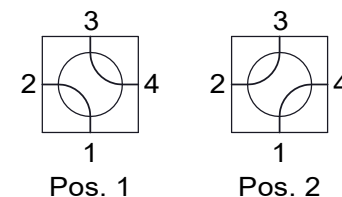
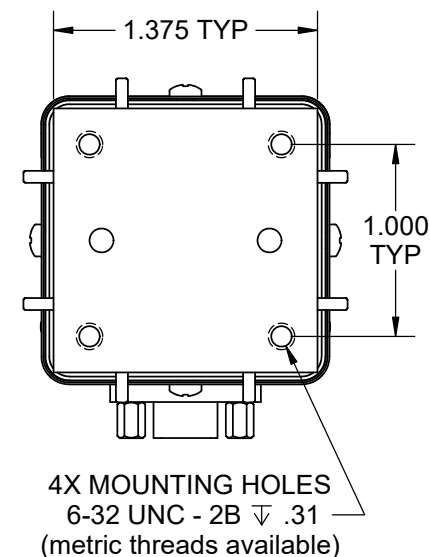
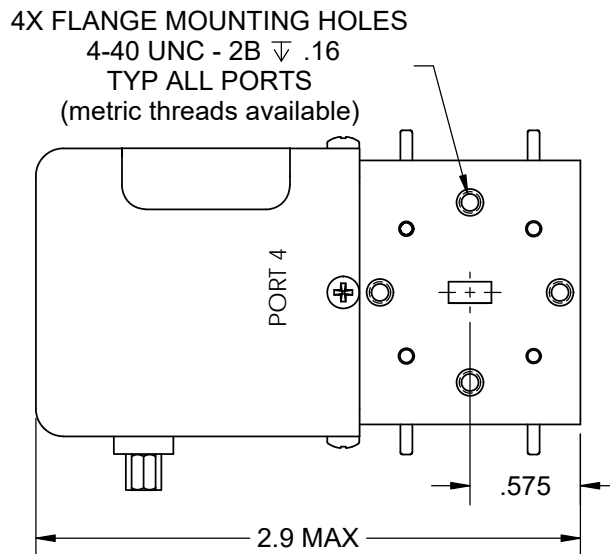
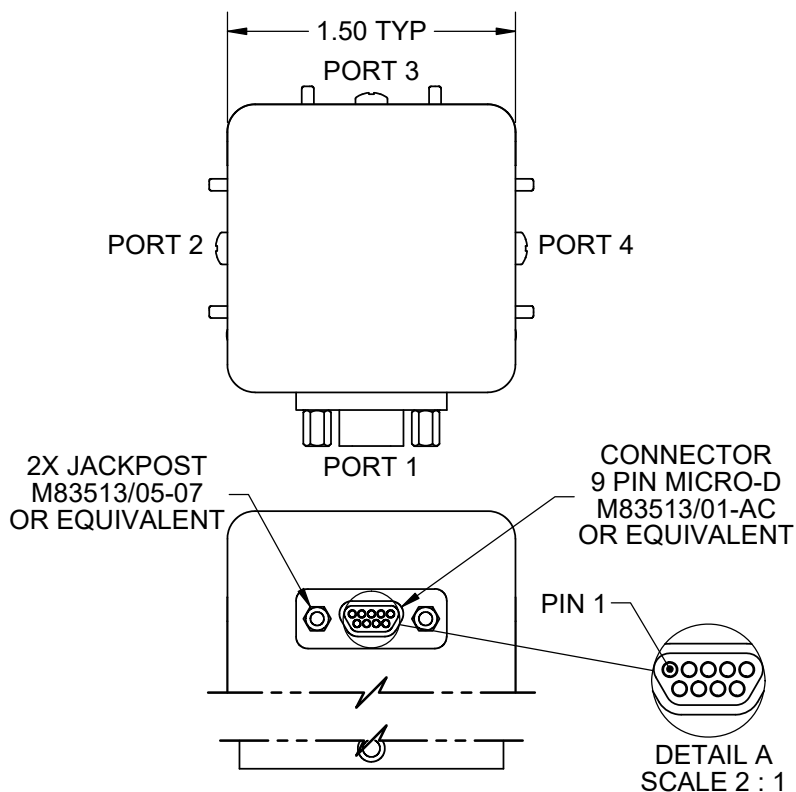




Waveguide Switch - UA Series - WR22

REV. B



R.F. PATHS

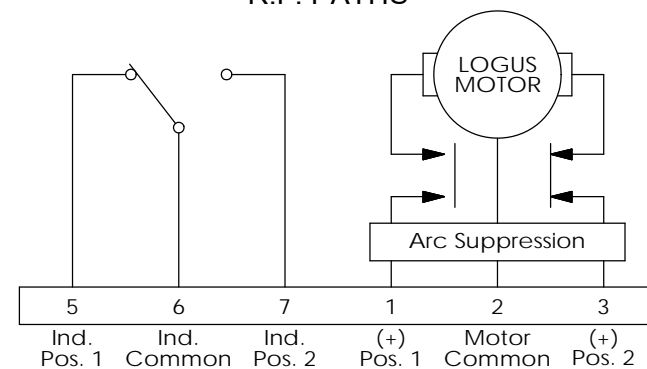
(See Model # Chart to select options)

ELECTRICAL CIRCUIT OPTIONS
NO INDICATORS
1 SET INDICATORS

DRIVE OPTIONS
LATCHING
PULSE LATCHING
FAILSAFE
TTL

VOLTAGE OPTIONS
12 VDC
15 VDC
24 VDC
28 VDC
48 VDC
115 VAC

FLANGE OPTIONS
COVER
GROOVE
CHOKE



LATCHING, SHOWN IN POSITION 1

(See Schematic page for optional Electrical Circuits)

- Frequency: 33.0 to 50.0 GHz
- VSWR: 1.15:1 Max.
- Insertion Loss: 0.20 dB Max.
- Isolation: 50 dB Min.
- Flange: See Flange Table
- Voltage: See Voltage Table
- Switching Time: 50 mS Max.
- Material: Aluminum (RF Assy)
- Finish: Iridite per MIL-DTL-5541
- Pressure: 5 PSIG Typ., 15 PSIG Max.
- Drive: Patented Logus Motor
- Temp: Operating: -54 °C to +85 °C
Non-Operating: -60 °C to +100 °C
- Humidity: 0 to 100%, Fully Sealed

Switch Designed for Airborne Applications