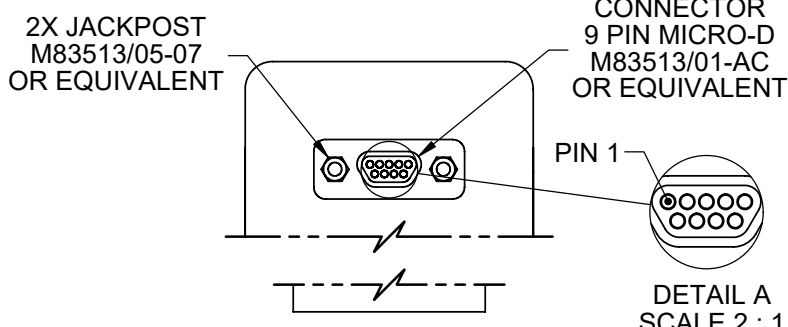
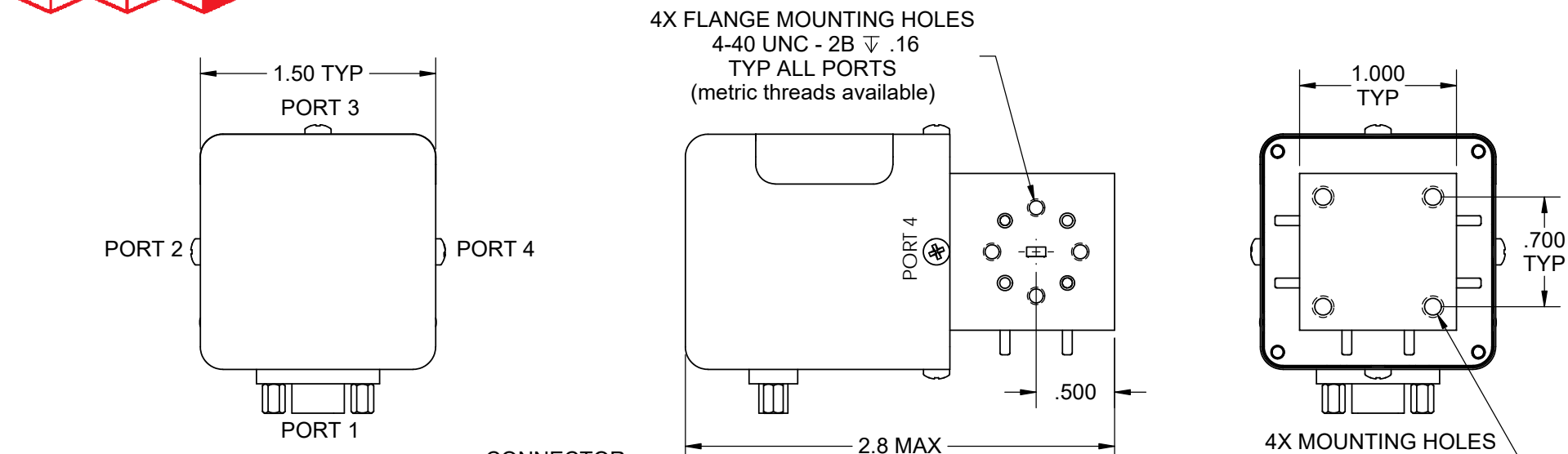
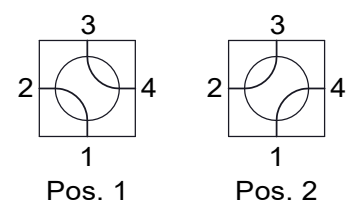




Waveguide Switch - UA Series - WR12



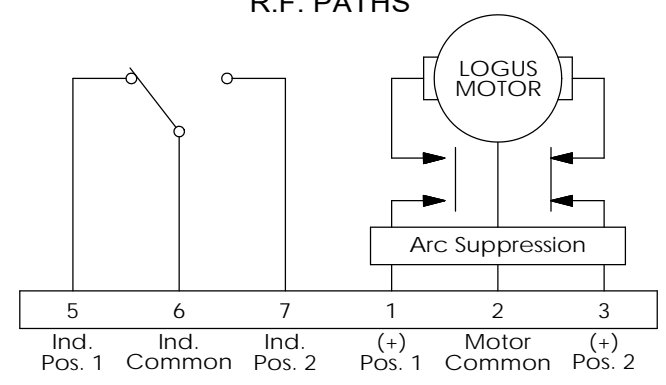
(See Model # Chart to select options)



Frequency:	60.0 to 90.0 GHz
VSWR:	1.2:1 Max.
Insertion Loss:	0.40 dB Max.
Isolation:	50 dB Min.
Flange:	See Flange Table
Voltage:	See Voltage Table
Switching Time	50 mS Max.
Material:	Aluminum (RF Assy)
Finish:	Iridite per MIL-DTL-5541
Pressure:	5 PSIG Typ., 15 PSIG Max.
Drive:	Patented Logus Motor
Temp:	Operating: -54 °C to +85 °C Non-Operating: -60 °C to +100 °C
Humidity:	0 to 100%, Fully Sealed

ELECTRICAL CIRCUIT OPTIONS
NO INDICATORS
1 SET INDICATORS

DRIVE OPTIONS	VOLTAGE OPTIONS	FLANGE OPTIONS
LATCHING	12 VDC	COVER
PULSE LATCHING	15 VDC	GROOVE
FAILSAFE	24 VDC	CHOKE
TTL	28 VDC	
	48 VDC	
	115 VAC	



LATCHING, SHOWN IN POSITION 1

(See Schematic page for optional Electrical Circuits)

Switch Designed for Airborne Applications