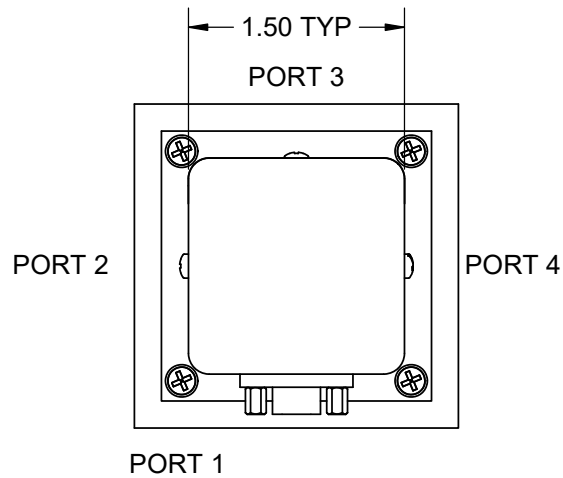
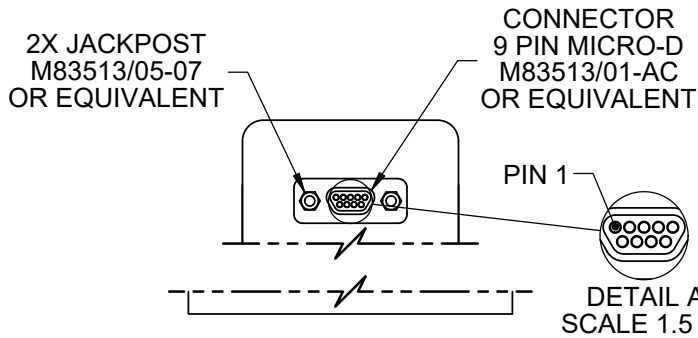
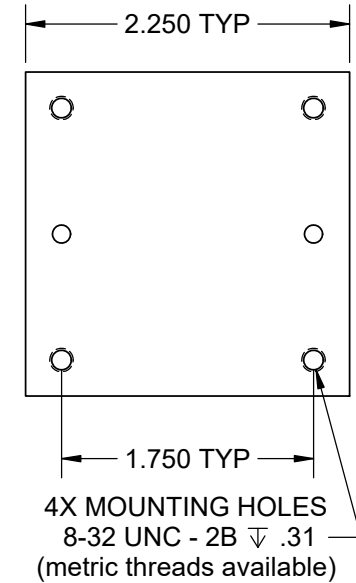
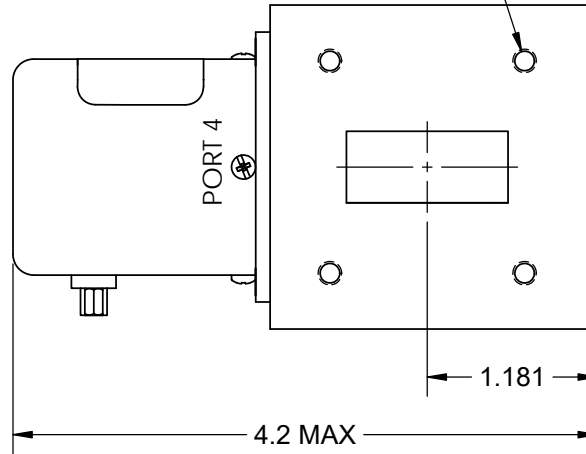




# Waveguide Switch - UA Series - WR112



4X FLANGE MOUNTING HOLES  
8-32 UNC - 2B  $\nabla$  .31  
TYP ALL PORTS  
(metric threads available)



(See Model # Chart to select options)

Frequency: 7.05 to 10.0 GHz  
VSWR: 1.10:1 Max.  
Insertion Loss: 0.05 dB Max.  
Isolation: 80 dB Min.

Flange: See Flange Table  
Voltage: See Voltage Table  
Switching Time: 100 mS Max.

Material: Aluminum (RF Assy)  
Finish: Iridite per MIL-DTL-5541

Pressure: 5 PSIG Typ., 15 PSIG Max.  
Drive: Patented Logus Motor

Temp: Operating: -54 °C to +85 °C  
Non-Operating: -60 °C to +100 °C  
Humidity: 0 to 100%, Fully Sealed

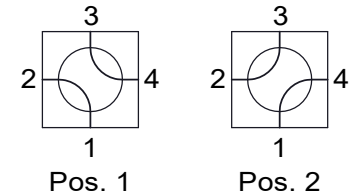
Switch Designed for Airborne Applications

| ELECTRICAL CIRCUIT OPTIONS |
|----------------------------|
| NO INDICATORS              |
| 1 SET INDICATORS           |

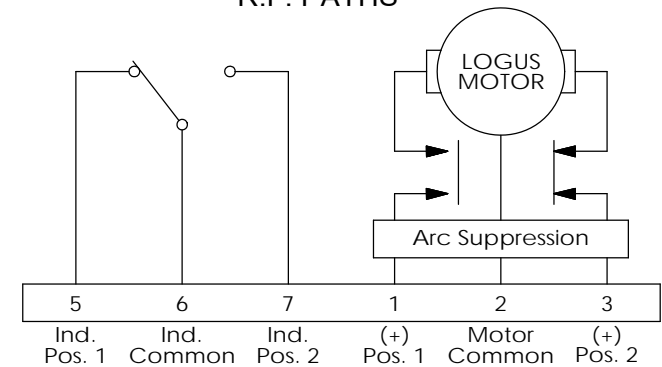
| DRIVE OPTIONS  |
|----------------|
| LATCHING       |
| PULSE LATCHING |
| FAILSAFE       |
| TTL            |

| VOLTAGE OPTIONS |
|-----------------|
| 12 VDC          |
| 15 VDC          |
| 24 VDC          |
| 28 VDC          |
| 48 VDC          |
| 115 VAC         |

| FLANGE OPTIONS |
|----------------|
| COVER          |
| GROOVE         |
| CHOKE          |



R.F. PATHS



LATCHING, SHOWN IN POSITION 1

(See Schematic page for optional Electrical Circuits)