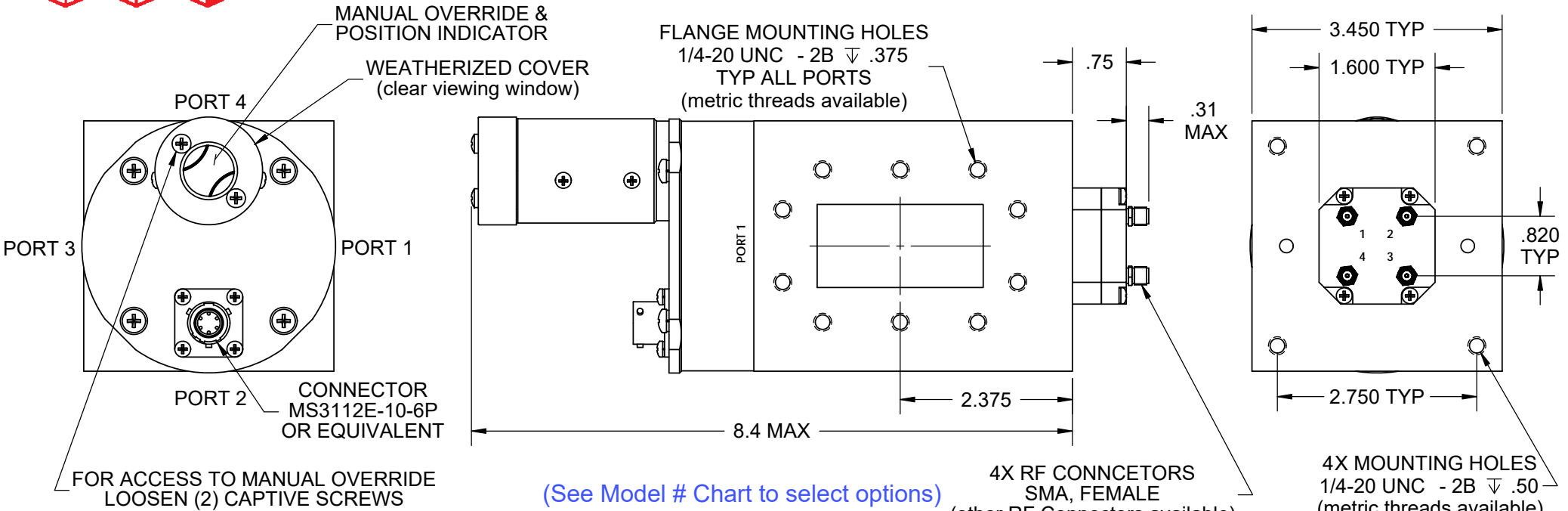


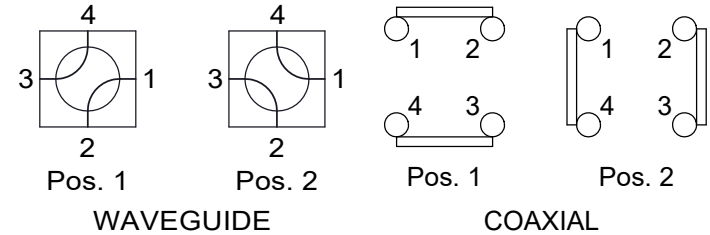


Waveguide Switch - MW Series - WR229 DUAL

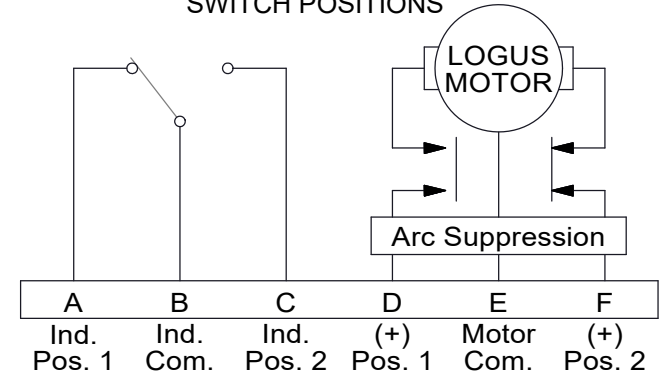
REV. E



| ELECTRICAL CIRCUIT OPTIONS |
|----------------------------|
| NO INDICATORS |
| 1 SET INDICATORS |
| 2 SETS INDICATORS |
| 3 SETS INDICATORS |
| 4 SETS INDICATORS |
| INHIBIT CIRCUITS |



SWITCH POSITIONS



LATCHING, SHOWN IN POSITION 1

(See Schematic page for optional Electrical Circuits)

| | Wave Guide | | Coaxial | | |
|------------------------|------------|---------|---------|-----------|------------|
| Frequency: (GHz) | 3.3 to 4.9 | DC to 3 | 3 to 8 | 8 to 12.4 | 12.4 to 18 |
| VSWR: (Max.) | 1.05:1 | 1.2:1 | 1.3:1 | 1.4:1 | 1.5:1 |
| Insertion Loss: (Max.) | 0.02 dB | 0.2 dB | 0.3 dB | 0.4 dB | 0.5 dB |
| Isolation: (Min.) | 80 dB | 80 dB | 70 dB | 60 dB | 60 dB |

| | |
|----------------|---|
| Flange: | See Flange Table |
| Voltage: | See Voltage Table |
| Switching Time | 200 mS Max. |
| Material: | Aluminum (RF Assy) |
| Finish: | Iridite per MIL-DTL-5541 Paint Dull Black Enamel |
| Pressure: | 30 PSIG (RF Head Only) |
| Drive: | Patented Logus Motor |

| DRIVE OPTIONS |
|----------------|
| LATCHING |
| PULSE LATCHING |
| FAILSAFE |
| TTL |

| VOLTAGE OPTIONS |
|-----------------|
| 12 VDC |
| 15 VDC |
| 24 VDC |
| 28 VDC |
| 48 VDC |
| 115 VAC |

| FLANGE OPTIONS |
|----------------|
| CPR FLAT |
| CPR GROOVE |
| CMR |

Temp: Operating: -40 °C to +85 °C
 Non-Operating: -55 °C to +100 °C

Humidity: 0 to 100%, Fully Weatherized

RoHS Available