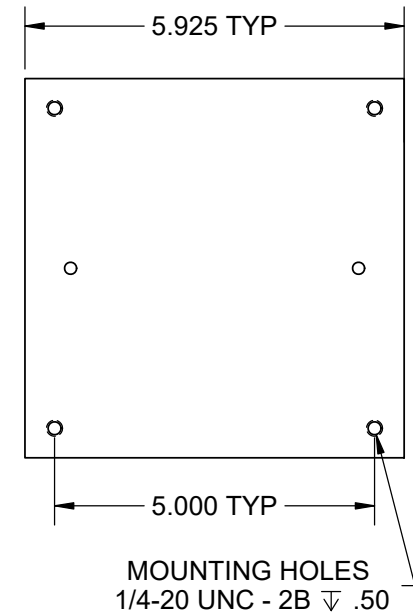
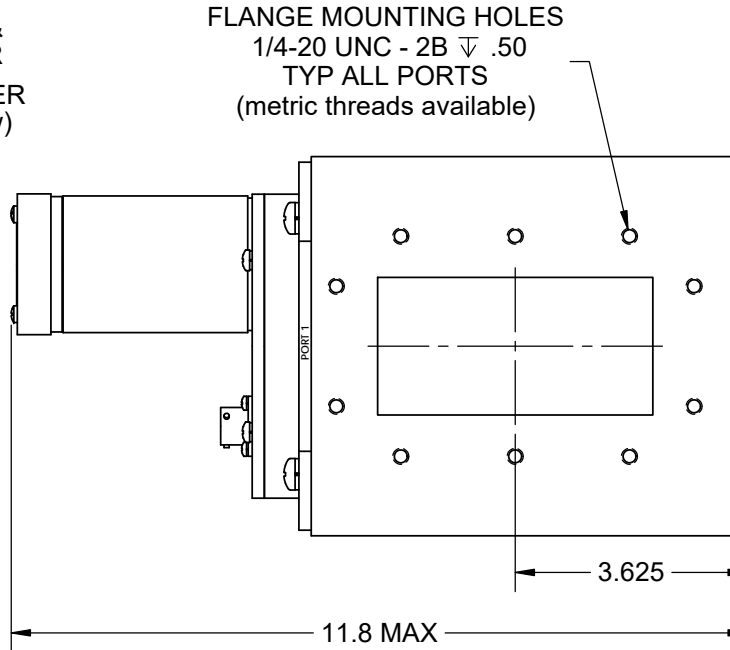
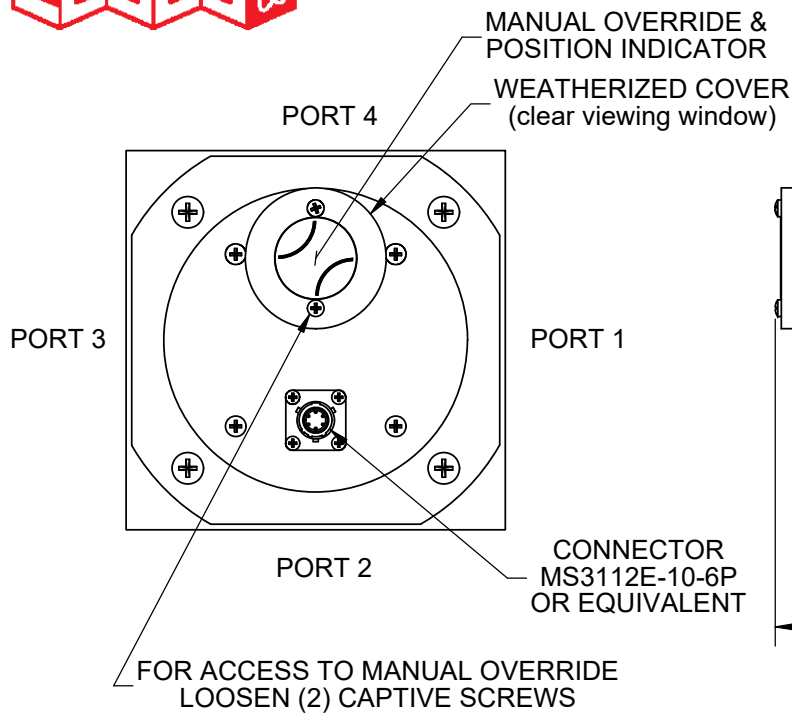
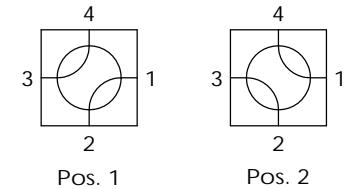




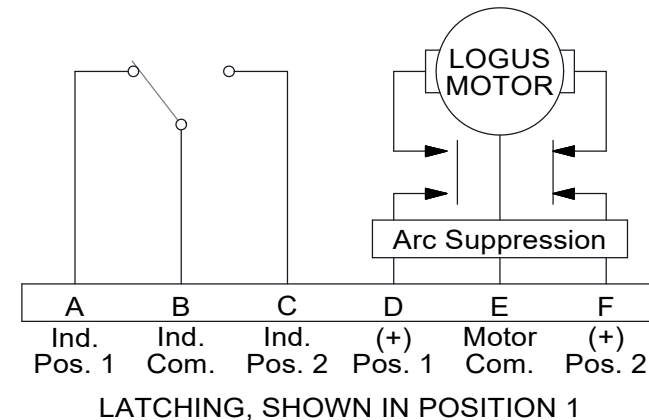
# Waveguide Switch - MW Series - WR430 CPR



(See Model # Chart to select options)



R.F. PATHS



(See Schematic page for optional Electrical Circuits)

ELECTRICAL CIRCUIT OPTIONS
NO INDICATORS
1 SET INDICATORS
2 SETS INDICATORS
3 SETS INDICATORS
4 SETS INDICATORS
INHIBIT CIRCUITS

DRIVE OPTIONS
LATCHING
PULSE LATCHING
FAILSAFE
TTL

VOLTAGE OPTIONS
12 VDC
15 VDC
24 VDC
28 VDC
48 VDC
115 VAC

FLANGE OPTIONS
CPR FLAT
CPR GROOVE
CMR

- Frequency: 1.7 to 2.6 GHz
- VSWR: 1.05:1 Max.
- Insertion Loss: 0.01 dB Max.
- Isolation: 80 dB Min.
- Flange: See Flange Table
- Voltage: See Voltage Table
- Switching Time: 500 mS Max.
- Material: Aluminum (RF Assy)
- Finish: Iridite per MIL-DTL-5541  
Paint Dull Black Enamel
- Pressure: 30 PSIG (RF Head Only)
- Drive: Patented Logus Motor
- Temp: Operating: -40 °C to +85 °C  
Non-Operating: -55 °C to +100 °C
- Humidity: 0 to 100%, Fully Weatherized