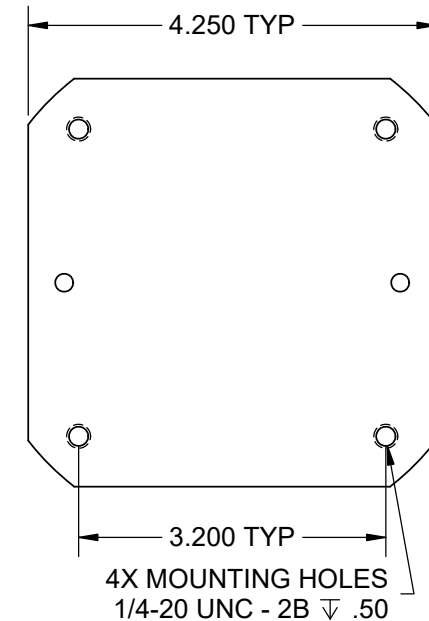
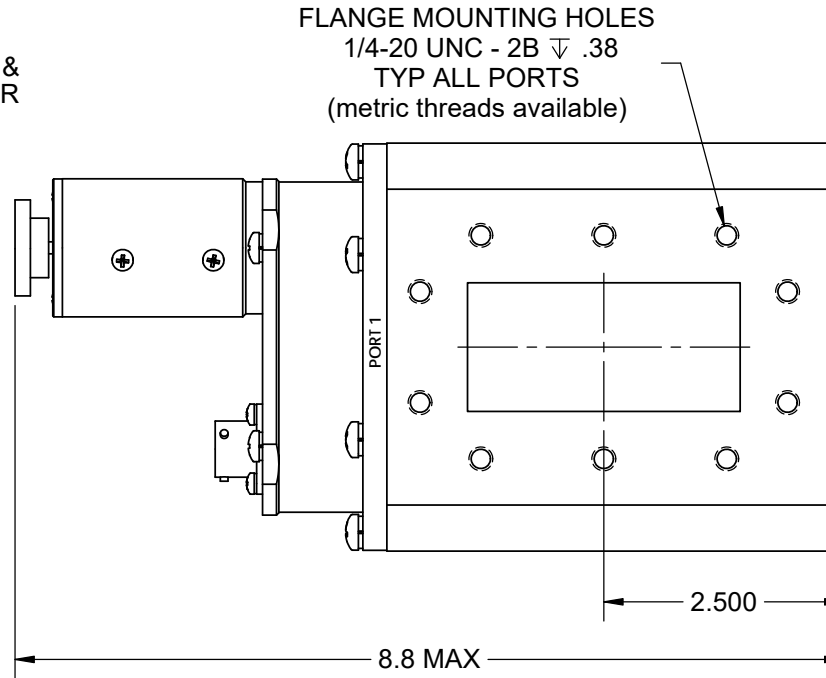
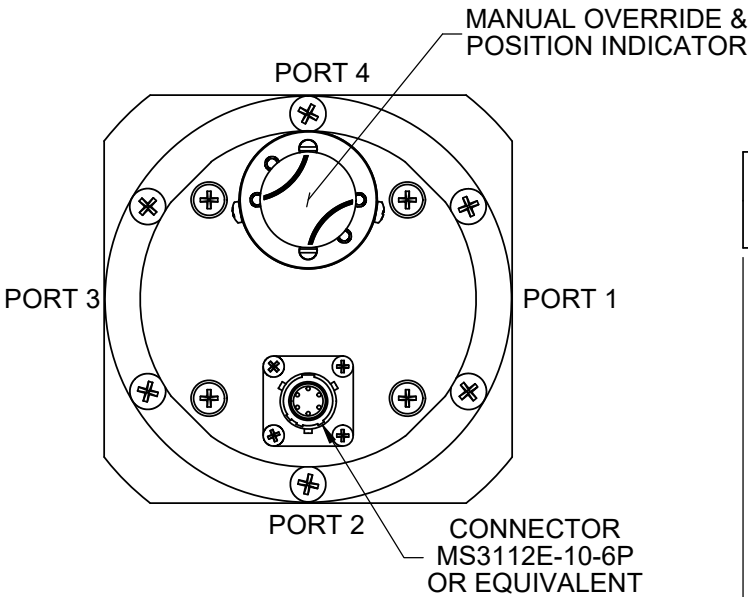


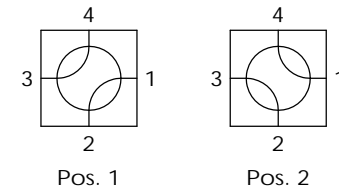


Waveguide Switch - MM Series - WR284 CPR

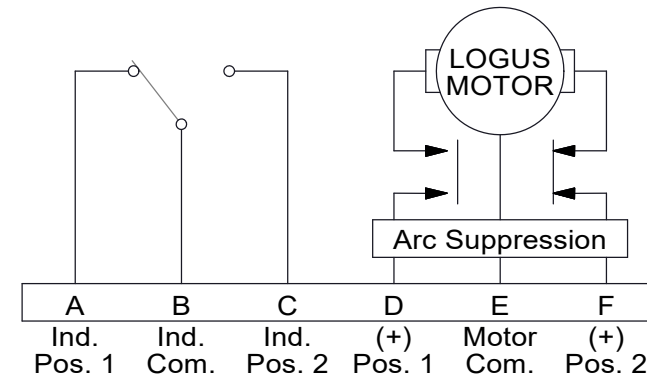
REV. B



(See Model # Chart to select options)



R.F. PATHS



LATCHING, SHOWN IN POSITION 1

(See Schematic page for optional Electrical Circuits)

| ELECTRICAL CIRCUIT OPTIONS |
|----------------------------|
| NO INDICATORS |
| 1 SET INDICATORS |
| 2 SETS INDICATORS |
| 3 SETS INDICATORS |
| 4 SETS INDICATORS |
| INHIBIT CIRCUITS |

| DRIVE OPTIONS |
|----------------|
| LATCHING |
| PULSE LATCHING |
| FAILSAFE |
| TTL |

| VOLTAGE OPTIONS |
|-----------------|
| 12 VDC |
| 15 VDC |
| 24 VDC |
| 28 VDC |
| 48 VDC |
| 115 VAC |

| FLANGE OPTIONS |
|----------------|
| CPR FLAT |
| CPR GROOVE |
| CMR |

Frequency: 2.6 to 3.95 GHz
 VSWR: 1.07:1 Max.
 Insertion Loss: 0.05 dB Max.
 Isolation: 80 dB Min.

Flange: See Flange Table
 Voltage: See Voltage Table
 Switching Time: 200 mS Max.

Material: Aluminum (RF Assy)
 Finish: Iridite per MIL-DTL-5541
 Paint Dull Black Enamel
 Pressure: 30 PSIG (RF Head Only)
 Drive: Patented Logus Motor
 Temp: Operating: -40 °C to +85 °C
 Non-Operating: -55 °C to +100 °C
 Humidity: 0 to 95%, No Condensation

RoHS Available