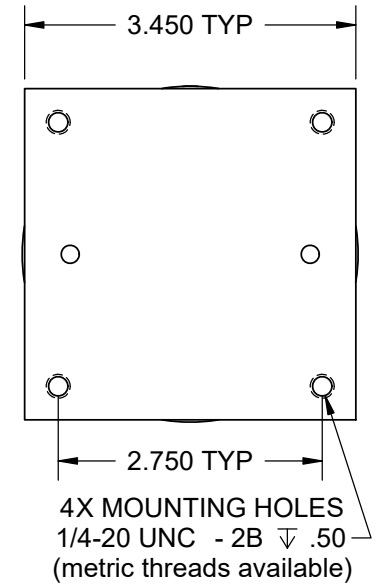
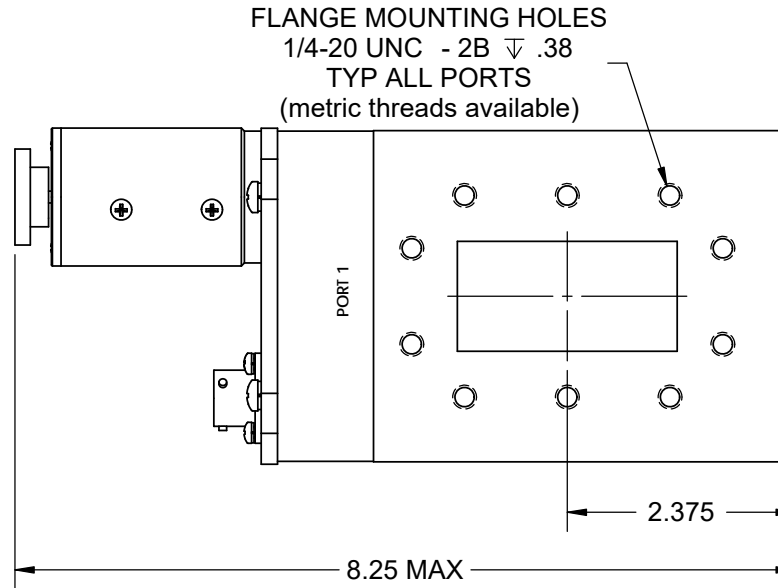
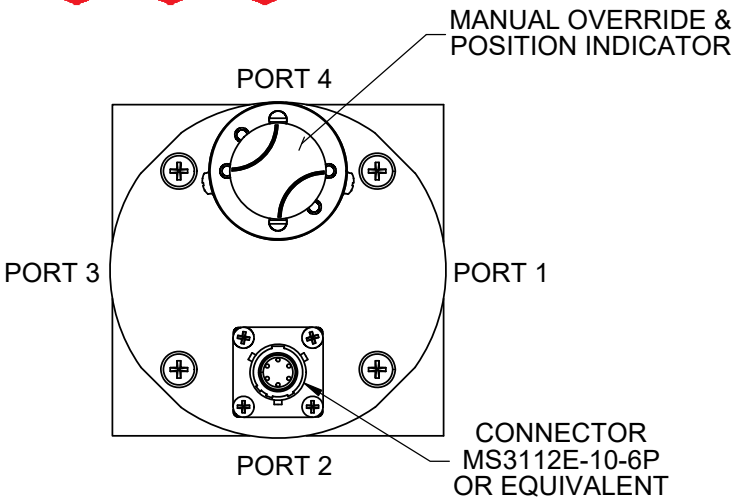


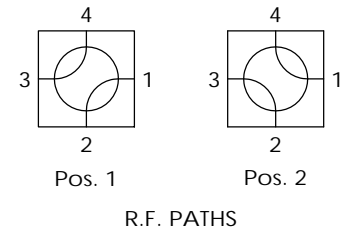


# Waveguide Switch - MM Series - WR229 CPR

REV. B



(See Model # Chart to select options)



Frequency: 3.3 to 4.9 GHz  
 VSWR: 1.05:1 Max.  
 Insertion Loss: 0.02 dB Max.  
 Isolation: 80 dB Min.

Flange: See Flange Table  
 Voltage: See Voltage Table  
 Switching Time: 200 mS Max.

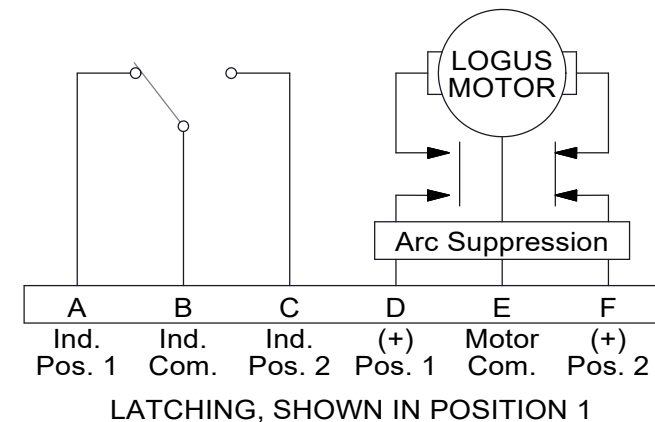
Material: Aluminum (RF Assy)  
 Finish: Iridite per MIL-DTL-5541  
 Paint Dull Black Enamel  
 Pressure: 30 PSIG (RF Head Only)  
 Drive: Patented Logus Motor  
 Temp: Operating: -40 °C to +85 °C  
 Non-Operating: -55 °C to +100 °C  
 Humidity: 0 to 95%, No Condensation

ELECTRICAL CIRCUIT OPTIONS
NO INDICATORS
1 SET INDICATORS
2 SETS INDICATORS
3 SETS INDICATORS
4 SETS INDICATORS
INHIBIT CIRCUITS

DRIVE OPTIONS
LATCHING
PULSE LATCHING
FAILSAFE
TTL

VOLTAGE OPTIONS
12 VDC
15 VDC
24 VDC
28 VDC
48 VDC
115 VAC

FLANGE OPTIONS
CPR FLAT
CPR GROOVE
CMR



(See Schematic page for optional Electrical Circuits)