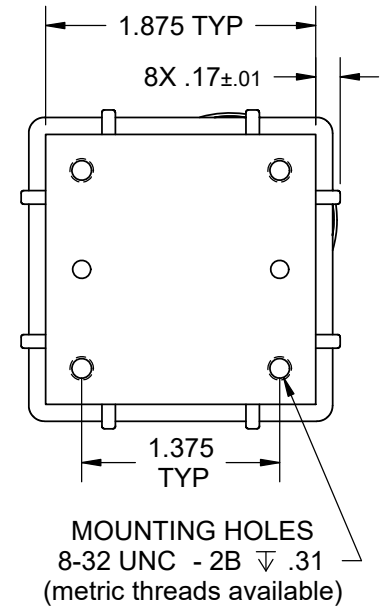
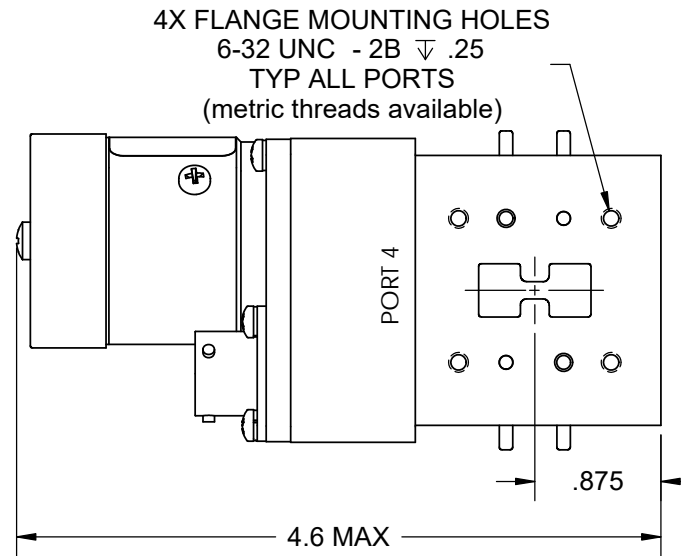
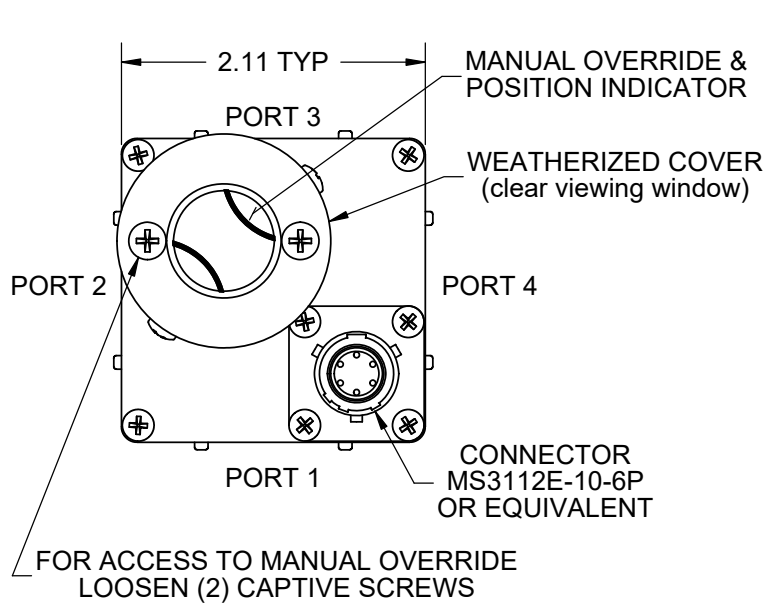




# Ridgeguide Switch - LW Series - WRD580

REV. D



(See Model # Chart to select options)

Frequency GHz:	C-Band 5.8 to 6.4	X-Band 7.9 to 8.4	Ku-Band 14.0 to 14.5	Broad-Band 5.8 to 16.0
VSWR:	1.18:1 Max.	1.10:1 Max.	1.15:1 Max.	1.18:1 Max.
Insertion Loss:	0.35 dB Max.	0.05 dB Max.	0.20 dB Max.	0.35 dB Max.
Isolation:	60 dB Min.	70 dB Min.	60 dB Min.	60 dB Min.

Flange:	See Flange Table
Voltage:	See Voltage Table
Switching Time	100 mS Max.

Material:	Aluminum (RF Assy)
Finish:	Iridite per MIL-DTL-5541 Paint Dull Black Enamel
Pressure:	30 PSIG (RF Head Only)
Drive:	Patented Logus I Motor

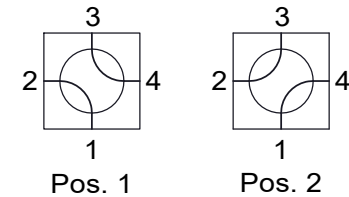
Temp:	Operating: -40°C to +85°C Non-Operating: -55°C to +100°C
Humidity:	0 to 100%, Fully Weatherized

ELECTRICAL CIRCUIT OPTIONS
NO INDICATORS
1 SET INDICATORS
2 SETS INDICATORS
3 SETS INDICATORS
4 SETS INDICATORS
INHIBIT CIRCUITS

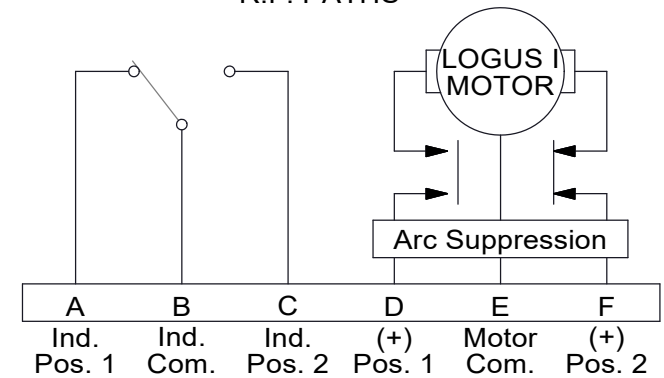
DRIVE OPTIONS
LATCHING
PULSE LATCHING
FAILSAFE

VOLTAGE OPTIONS
12 VDC
15 VDC
24 VDC
28 VDC
48 VDC
115 VAC

FLANGE OPTIONS
COVER
GROOVE



R.F. PATHS



LATCHING, SHOWN IN POSITION 1

(See Schematic page for optional Electrical Circuits)

RoHS Available