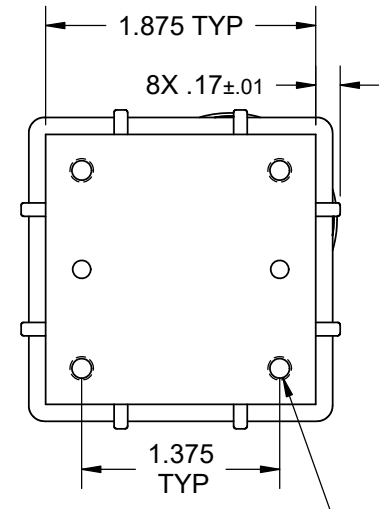
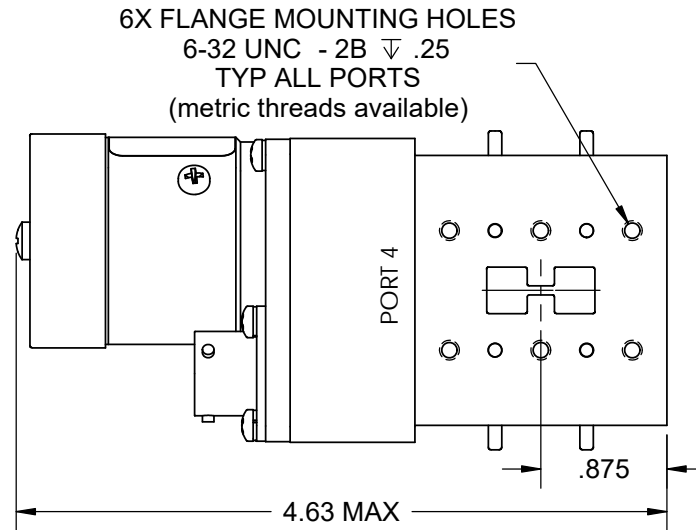
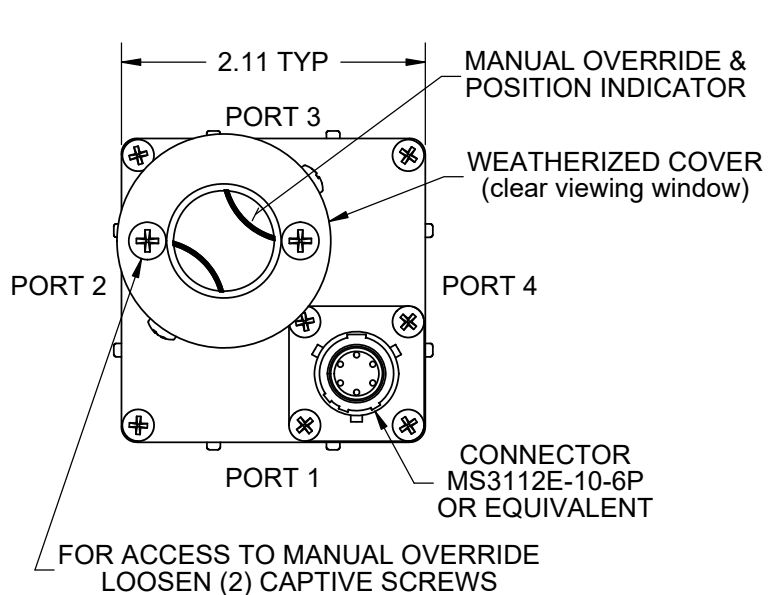




Ridgeguide Switch - LW Series - WRD500

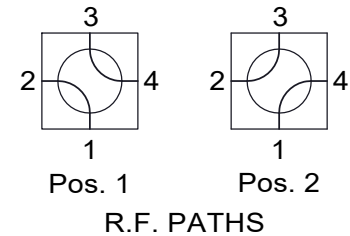
REV. D



MOUNTING HOLES
8-32 UNC - 2B ∇ .31
(metric threads available)

(See Model # Chart to select options)

ELECTRICAL CIRCUIT OPTIONS
NO INDICATORS
1 SET INDICATORS
2 SETS INDICATORS
3 SETS INDICATORS
4 SETS INDICATORS
INHIBIT CIRCUITS



Frequency: 5.0 to 18.0 GHz
VSWR: 1.20:1 Max.
Insertion Loss: 0.35 dB Max.
Isolation: 60 dB Min.

Flange: See Flange Table
Voltage: See Voltage Table
Switching Time: 100 mS Max.

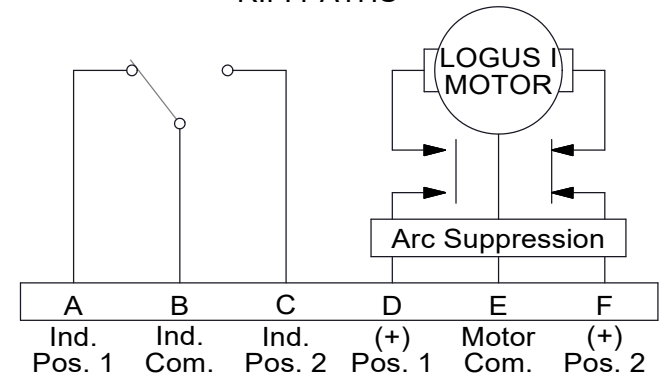
Material: Aluminum (RF Assy)
Finish: Iridite per MIL-DTL-5541
Paint Dull Black Enamel
Pressure: 30 PSIG (RF Head Only)
Drive: Patented Logus I Motor

Temp: Operating: -40°C to +85°C
Non-Operating: -55°C to +100°C
Humidity: 0 to 100%, Fully Weatherized

DRIVE OPTIONS
LATCHING
PULSE LATCHING
FAILSAFE

VOLTAGE OPTIONS
12 VDC
15 VDC
24 VDC
28 VDC
48 VDC
115 VAC

FLANGE OPTIONS
COVER
GROOVE



LATCHING, SHOWN IN POSITION 1

(See Schematic page for optional Electrical Circuits)

RoHS Available