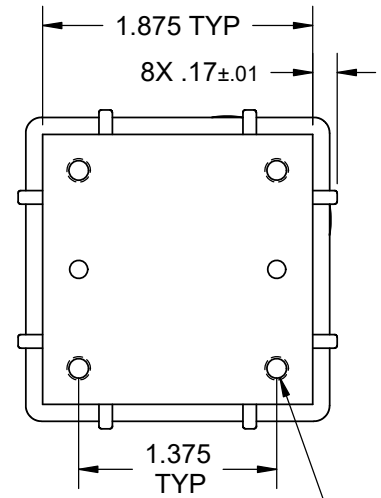
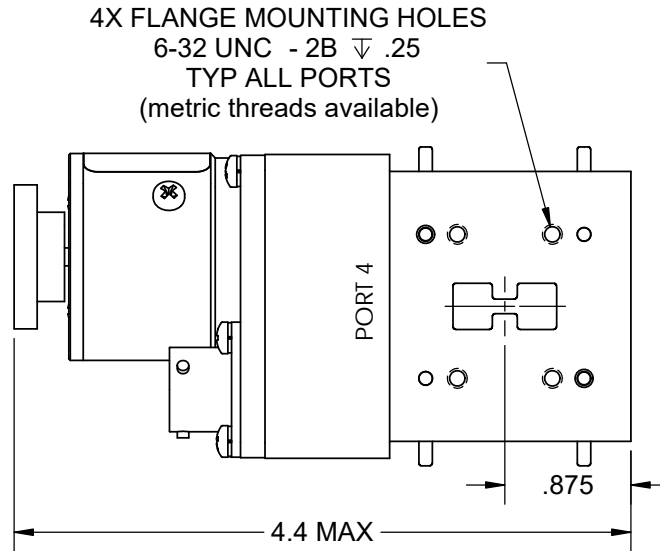
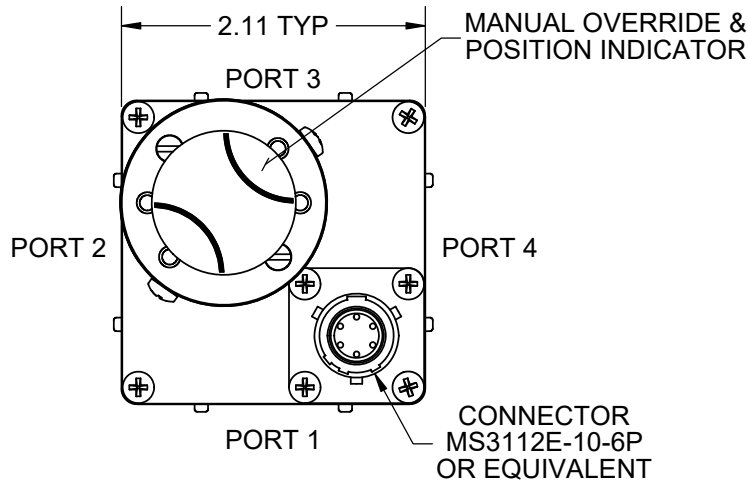




# Ridgeguide Switch - LM Series - WRD650

REV. B



MOUNTING HOLES  
8-32 UNC - 2B  $\nabla$  .31  
(metric threads available)

(See Model # Chart to select options)

ELECTRICAL CIRCUIT OPTIONS
NO INDICATORS
1 SET INDICATORS
2 SETS INDICATORS
3 SETS INDICATORS
4 SETS INDICATORS
INHIBIT CIRCUITS

Frequency: 6.5 to 18.0 GHz  
VSWR: 1.18:1 Max.  
Insertion Loss: 0.35 dB Max.  
Isolation: 60 dB Min.

Flange: See Flange Table  
Voltage: See Voltage Table  
Switching Time: 100 mS Max.

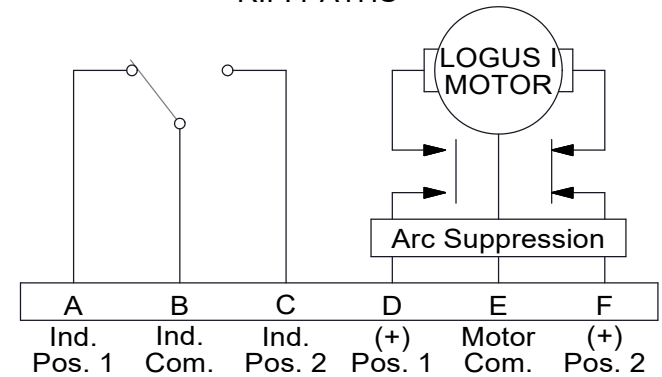
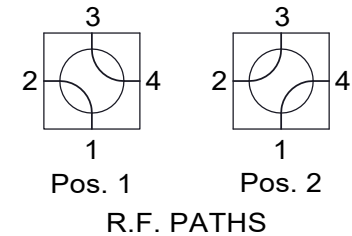
Material: Aluminum (RF Assy)  
Finish: Iridite per MIL-DTL-5541  
Paint Dull Black Enamel  
Pressure: 30 PSIG (RF Head Only)  
Drive: Patented Logus I Motor

Temp: Operating: -40°C to +85°C  
Non-Operating: -55°C to +100°C  
Humidity: 0 to 95%, No Condensation

DRIVE OPTIONS
LATCHING
PULSE LATCHING
FAILSAFE

VOLTAGE OPTIONS
12 VDC
15 VDC
24 VDC
28 VDC
48 VDC
115 VAC

FLANGE OPTIONS
COVER
GROOVE



LATCHING, SHOWN IN POSITION 1

(See Schematic page for optional Electrical Circuits)