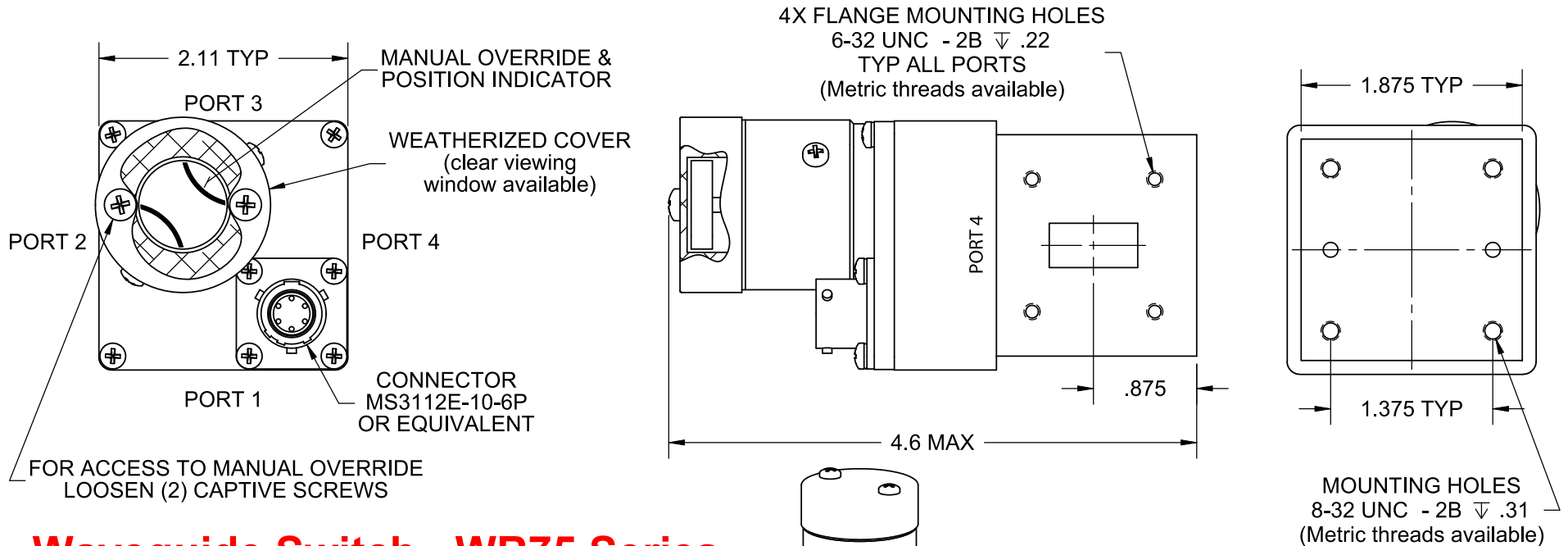




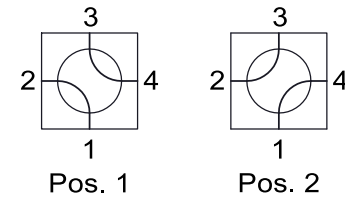
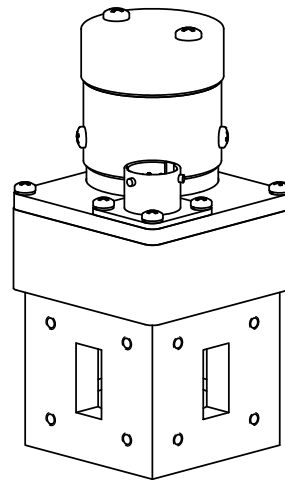
# Logus Satellite Communications Division

1305 Hill Ave., West Palm Beach, FL 33407 USA | tel: 561-842-3550 | fax: 561-842-2196 | www.LogusSat.com



## Waveguide Switch - WR75 Series

Frequency: 10.0 to 15.0 GHz  
 VSWR: 1.10:1 Max.  
 Insertion Loss: 0.05 dB Max.  
 Isolation: 75 dB Min.  
 Power: 3.50 KW CW Max.  
 Unpressurized: 100 KW Peak  
 Flange: See Flange Table  
 Voltage: See Voltage Table  
 Switching Time: 80 mS Max.  
 Material: Aluminum (RF Assy)  
 Finish: Iridite per MIL-C-5541  
 Paint Dull Black Enamel  
 Pressure: 30 PSIG (RF Head Only)  
 Drive: Patented Logus I Motor  
 Operating Life: 1,000,000 Cycles  
 Temp: Operating: -40 °C to +85 °C  
 Non-Operating: -55 °C to +100 °C  
 Humidity: 0 to 100%, Fully Weatherized

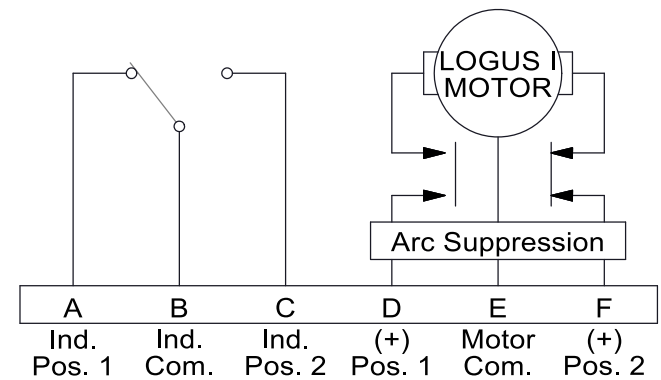


R.F. PATHS

DRIVE OPTIONS
LATCHING
PULSE LATCHING
FAILSAFE
TTL

VOLTAGE OPTIONS
12 VDC
15 VDC
24 VDC
28 VDC
48 VDC
115 VAC
230 VAC

FLANGE OPTIONS
UG COVER
UG GROOVE
UG CHOKE



LATCHING, SHOWN IN POSITION 1  
(other circuits available)

RoHS Available