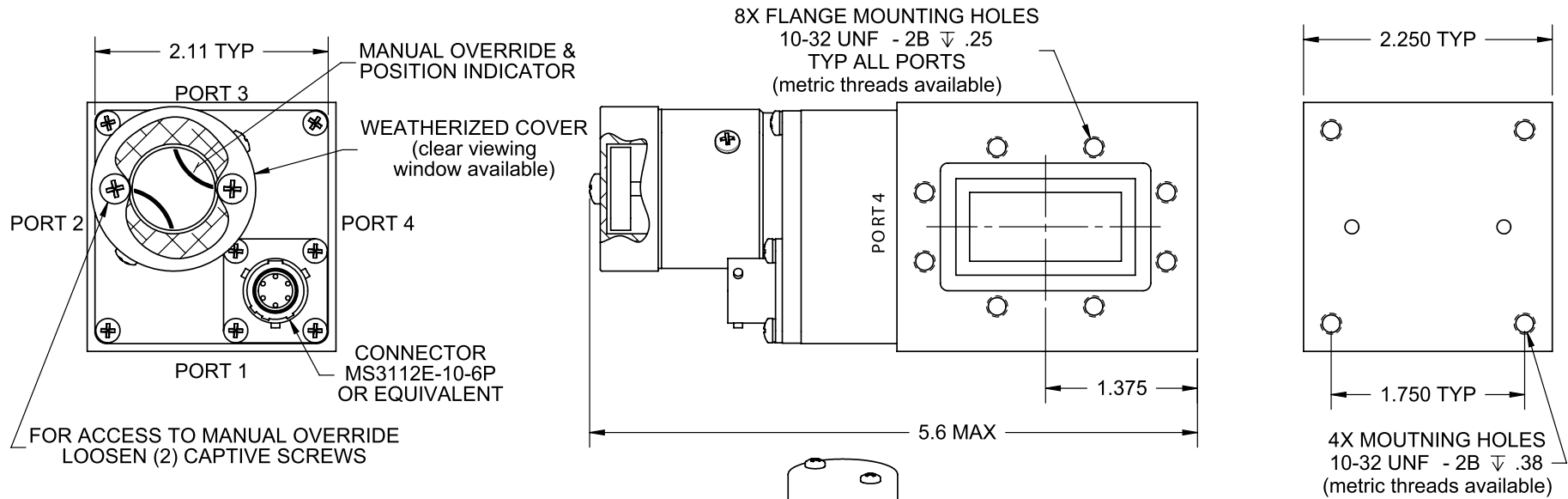


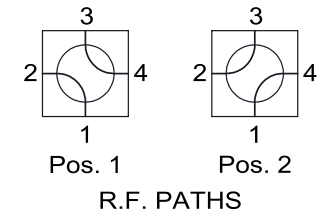
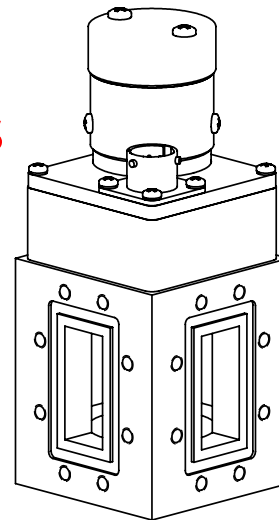


Logus Satellite Communications Division

1305 Hill Ave., West Palm Beach, FL 33407 USA | tel: 561-842-3550 | fax: 561-842-2196 | www.LogusSat.com



Waveguide Switch - WR137 Series



Frequency: 5.85 to 8.20 GHz
 VSWR: 1.05:1 Max.
 Insertion Loss: 0.02 dB Max.
 Isolation: 70 dB Min.
 Power: 12.0 KWCW Max.
 Unpressurized: 320.0 KW Peak
 Flange: See Flange Table
 Voltage: See Voltage Table
 Switching Time: 100 mS Max.
 Material: Aluminum (RF Assy)
 Finish: Iridite per MIL-C-5541
 Paint Dull Black Enamel

Pressure: 30 PSIG (RF Head Only)
 Drive: Patented Logus I Motor
 Operating Life: 1,000,000 Cycles
 Temp: Operating: -40°C to +85°C
 Non-Operating: -55°C to +100°C

Humidity: 0 to 100%, Fully Weatherized

RoHS Available

DRIVE OPTIONS
LATCHING
PULSE LATCHING
FAILSAFE
TTL

VOLTAGE OPTIONS
12 VDC
15 VDC
24 VDC
28 VDC
48 VDC
115 VAC
230 VAC

FLANGE OPTIONS
CPR FLAT
CPR GROOVE
CMR

