

## Waveguide Switch WRD200 Series

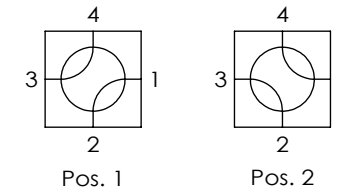
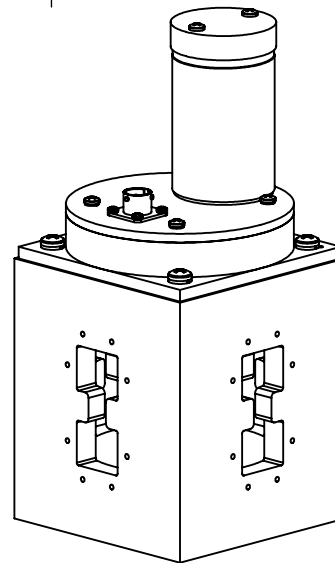
Frequency: 2.0 to 4.8 GHz  
 VSWR: 1.15:1 Max.  
 Insertion Loss: 0.10 dB Max.  
 Isolation: 50 dB Min.

Flange: See Flange Table  
 Voltage: See Voltage Table  
 Switching Time: 200 mS Max.

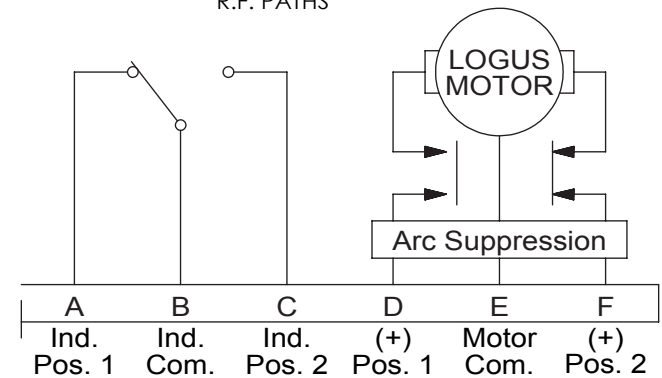
Material: Aluminum (RF Assy)  
 Finish: Iridite per MIL-C-5541  
 Paint Dull Black Enamel  
 Pressure: 30 PSIG (RF Head Only)  
 Drive: Patented Logus Motor

Temp: Operating: -40°C to +85°C  
 Non-Operating: -55°C to +100°C  
 Humidity: 0 to 100%, Fully Weatherized

RoHS Available



R.F. PATHS



LATCHING, SHOWN IN POSITION 1

(other circuits available)

DRIVE OPTIONS	
LATCHING	
PULSE LATCHING	
FAILSAFE	
TTL	

VOLTAGE OPTIONS	
12 VDC	
15 VDC	
24 VDC	
28 VDC	
48 VDC	
115 VAC	
230 VAC	

FLANGE OPTIONS	
COVER	
GROOVE	